



SEASTAR  
SOLUTIONS

640 North Lewis Road  
Limerick, PA 19468 USA  
610-495-7011  
www.seastarsolutions.com

# SA27255, SA27256 STEERING CONNECTION KIT TRANSOM MOUNT INSTRUCTIONS

**INSTALLER: THESE INSTRUCTIONS CONTAIN IMPORTANT SAFETY INFORMATION AND MUST BE FORWARDED TO THE BOAT OWNER.**

THIS KIT CONTAINS PARTS REQUIRED TO PROVIDE A TRANSOM MOUNTING FOR STEERING CABLES (MANUFACTURED BY SEASTAR SOLUTIONS) AND A CONNECTION TO MOST OUTBOARD MOTORS.

### CAUTION

READ THESE INSTRUCTIONS THOROUGHLY BEFORE PROCEEDING WITH INSTALLATION. MOTOR PIVOTS MUST BE ADJUSTED AND LUBRICATED IN ACCORDANCE WITH THE MOTOR MANUFACTURER'S INSTRUCTIONS. IN ORDER TO AVOID EXCESS STEERING LOADS AND TO OPTIMIZE STEERING CHARACTERISTICS, MOTOR OR OUTDRIVE TRIM TABS MUST BE ADJUSTED ACCORDING TO THE MOTOR MANUFACTURER'S INSTRUCTIONS FOR THE SPECIFIC MOTOR AND BOAT COMBINATION. FAILURE TO DO SO CAN AFFECT BOAT PERFORMANCE AND SAFETY OF OPERATION.

CHECK CONTENTS OF THE KIT AGAINST PARTS LIST ON THIS INSTRUCTION SHEET. PARTS SUPPLIED MUST BE USED PER INSTRUCTIONS. THE COMPANY CANNOT ACCEPT RESPONSIBILITY FOR THE INTEGRITY OF INSTALLATIONS IN WHICH SUBSTITUTE PARTS ARE USED.

### CLAMP BLOCK ASSEMBLY MOUNTING

1. Mark the vertical centerline of the Ball Post at 14" (356mm) from the vertical centerline of the transom as shown in Figures 2 or 3. NOTE: Ball Post must be pointed up or down as shown. DO NOT ATTEMPT TO MOUNT SIDEWAYS.
2. Select the proper mounting dimension "A" from Table I and mounting position (Figures 2 or 3) required for the type transom and motor used. Using the template (Figure 5) locate and mark the hole pattern on the transom. Place the Ball Post base in position and check the hole pattern. Make any corrections necessary to meet the dimensions specified, then drill four 5/16" (8mm) diameter holes as indicated.
3. Attach Ball Post (Item 1) to transom as follows: Place four Flatwashers (Item 2) over Bolts (Item 3) then install Bolts thru Ball Post base. Feed Bolts thru transom (see detail, Figure 3), add four Flatwashers (Item 2), and thread on Locknuts (Item 4). Torque to 75 inch/pounds. DO NOT EXCEED 100 INCH/POUNDS.

MOTOR MAKE	H.P. RATING	"A" DIMENSION	
		STEP TRANSOM	STRAIGHT TRANSOM
MERCURY	40-50 80 & UP	3-3/16" (81mm)	1-1/16" (27mm)
JOHNSON/ EVINRUDE	25-40 50 70 & UP	1-11/16" (43mm)	2-9/16" (65mm)
CHRYSLER	20-25-30 35-45-50	3-3/16" (81mm)	1-1/16" (27mm)
	60 75 & UP	1-11/16" (43mm)	2-9/16" (65mm)

4. Place two Clamp Block Brackets (Item 5) around Ball Post ball as shown in Figure 1, and install two Bolts (Item 6) thru rear holes, closest to Ball Post. Add two Flatwashers (Item 7) and Locknuts (Item 8). Slide Support Tube (Item 9) thru jaws of Clamp Blocks, (with threaded end toward the side of the boat steering cable is mounted) and tighten up on hardware sufficient to attach Clamp Blocks to Ball Post while leaving Support Tube free to slide. DO NOT INSTALL HARDWARE IN FRONT HOLES AT THIS TIME.

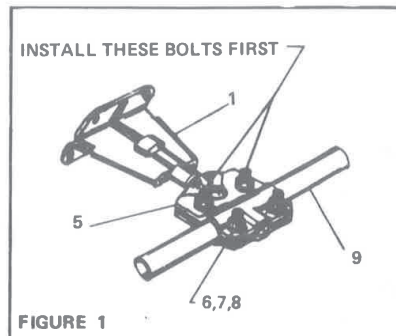
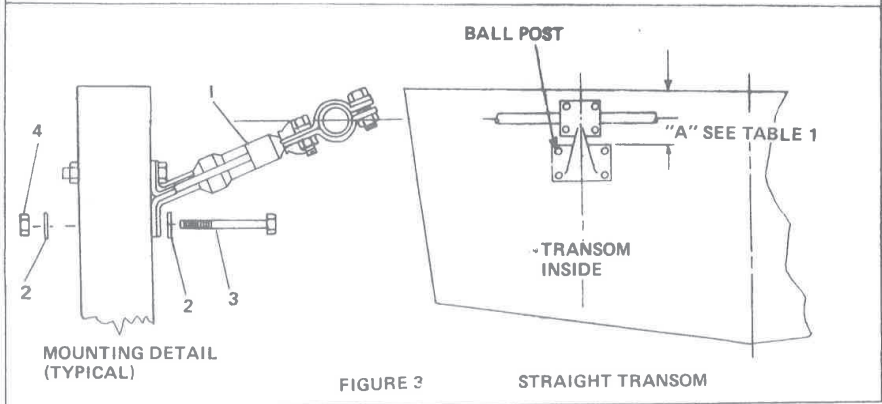
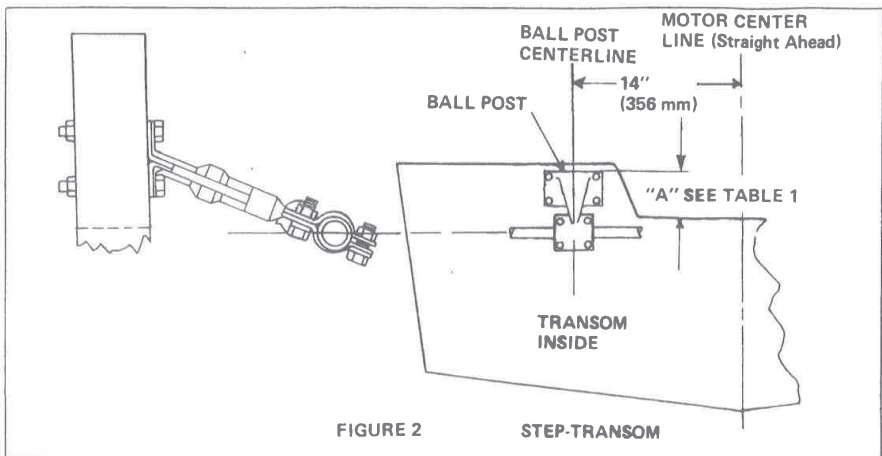


FIGURE 1



#### STEERING CABLE INSTALLATION

1. Insert telescopic end of Steering cable thru Support Tube (Item 9) as shown in Figure 4. Grip Support Tube with a strap wrench or equivalent tool which will not cause surface damage to or collapse tube.
2. Thread Coupler Nut of Steering cable on to end of Support Tube and tighten securely (approximately 15 foot/pounds).

NOTE: The Coupler Nut has a locking feature in the threads. Make sure the Nut is drawn up fully and the locking feature is engaged.

3. For SA27255 (Stainless Steel) Kit ONLY: Slide plastic Bearing (Item 12) over telescopic output ram and install into end of Support Tube.

4. Slide Boot and Wiper Assembly (Item 10) over telescopic output ram and press firmly over end of Support Tube (Item 9) until fully seated. See Figure 4.

IS-7405