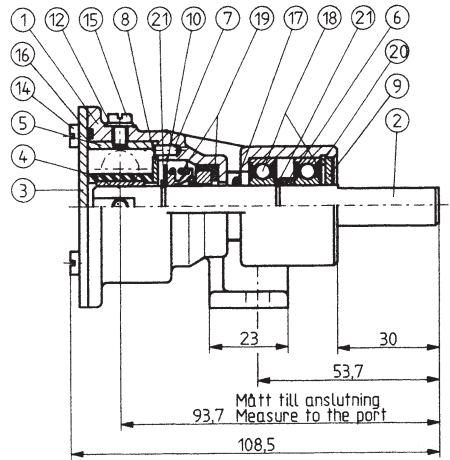
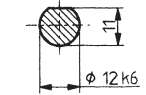


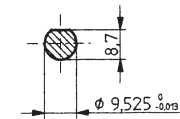
Basic size and tolerance Baskstørrelse og tolerans	Limits of deviation Grænser for afvigelse	
	One Upper	Lower
Ø12k6	+0.012	-0.001



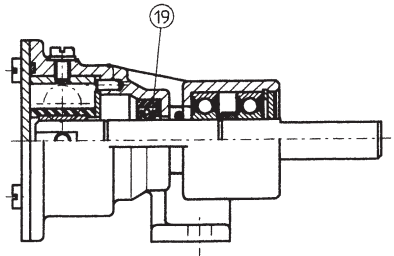
10-24569-01/-12



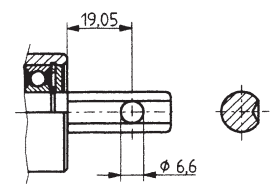
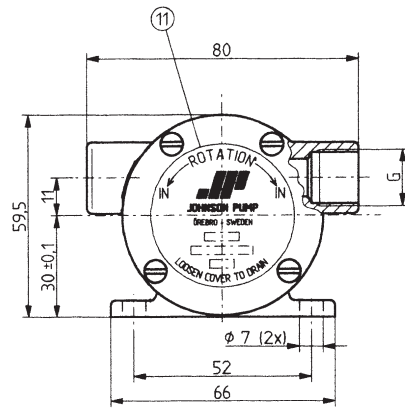
10-24569-01/-24



10-24569-51/-52



10-24569-13/-24



10-24569-53/-54

Drawing nr Drawing no	Pump nr / Pump no	Pump type	Märkning på etikett/Åsack Mark on label/endsack	Gänga G Thread G	Tätning Seal
03-24569	10-24569-01	F35B-8	Pumpnr + pump nr + tillv. år + vecka Pump type + pump no + man. year + week	G077/1-Rp 3/8	Mek. tätning Mech. seal
	10-24569-02	F35B-89			
	10-24569-03	F35B-802			
	10-24569-04	F35B-892			
	10-24569-05	F35B-803			
	10-24569-06	F35B-893			
	10-24569-07	F35B-8007			
	10-24569-08	F35B-8907			
	10-24569-09	F35B-8027			
	10-24569-10	F35B-8927			
	10-24569-11	F35B-8037			
	10-24569-12	F35B-8937			
	10-24569-13	F35B-8		G077/1-Rp 3/8	Låspättring Lip seal
	10-24569-14	F35B-89			
	10-24569-15	F35B-802			
	10-24569-16	F35B-892			
	10-24569-17	F35B-803			
	10-24569-18	F35B-893			
	10-24569-19	F35B-8007			
	10-24569-20	F35B-8907			
	10-24569-21	F35B-8027			
	10-24569-22	F35B-8927			
	10-24569-23	F35B-8037			
	10-24569-24	F35B-8937			
10-24569-51	F35B-8007	3/8 - 18 NPTF	Mek. tätning Mech. seal		
10-24569-52	F35B-8007	3/8 - 18 NPTF	Låspättring Lip seal		
10-24569-53	F35B-8007	3/8 - 18 NPTF	Mek. tätning Mech. seal		
10-24569-54	F35B-8007	3/8 - 18 NPTF	Låspättring Lip seal		

Detalj är enligt skissstilla
Part has according to parts list

A03	10-24569-53/-54 tillkom. Pos. 13 utgåick.	000811	LU
A02	Etikett tillkom.	990909	UF

Godkänd av / Approved by			
Desig.	Prod.	Qual.	Mech. work.

Item no Post nr	Item Antal	Description Beskrivning	Material	Drawing no Ritnings nr
		<p>Ör ej annat angivits gäller:</p> <p>Tolerans Tolerans</p> <p>Unspecified surface Ospecifierad yta +IT 17/2</p>	<p>Unless otherwise stated the following applies:</p> <p>Sharp edges broken Skarpa hörn brutna</p> <p>RadII Rader</p> <p>Filter radII Filterradier</p>	<p>Surface roughness Ra µm Ytjämnhet Ra µm</p> <p>Net Weight Nett vikt</p>
Title Titel		Johnson Impellerpump F35B-8	Date Datum	Scale Skala
			981217	1:1
			Sign LU	Ughv. tecken A03
			Ritnings nr Drawing no	
			03-24569	

Copyright © 2000 Johnson Pump AB, Örebro Sweden.

Assembly drawing No. 03-24569

F35B-8 Impeller Pump OEM / Art. No. 10-24569-01

Position	Quantity	Part No	Description
1	1	01-35881-1	BODY F35B-8
2	1	01-46735-1	SHAFT F35/F4B-8
3	1	01-46739-2	ENDCOVER F35B NEUTRAL
4	1	08-808B	IMPELLER
5	1	01-42910	CAM 1/1 F35B-
6	1	01-45542	SPACER F35B-902
7	1	01-42400	PIN F35B-/F7B/F70B
8	1	01-46676	WEAR PLATE F35B-8 SS
9	1	01-45049	PLATE F35/F4B-8
10	1	01-45659	WASHER F4B-8/-9
11	1	01-46797	LABEL
12	1	01-46790-01	WASHER D7.5XD4X1 CU
14	4	0.0279.300	SCREW M4X8 ISO1207 A4
15	1	01-46794-03	SCREW 8-32UNCX8
16	1	0.2173.440	O-RING 42X2 NBR70
17	1	0.2173.432	O-RING 11.3X2.4 SS1586 NBR70
18	2	0.3431.748	BALL BEARING 6001 2 RS1 ST
19	1	0.2247.021	MECH.SEAL COMPL D12
20	1	0.0371.028	INT. CIRCLIP D28 DIN472 ST
21	2	0.0370.012	EXT. CIRCLIP D12 DIN471 ST
0	1	01-46027-1	LABEL DRY RUNNING (4-LANG.)
0	1	0.3444.001	CARTON NO. 1 170X135X 90
0	1	IB-501/01	INSTR.MANUAL FB-8 SERIES

Assembly Drawing No. 03-24569

F35B-8 Impeller Pump OEM / Art. No. 10-24569-13

Position	Quantity	Part No.	Description
1	1	01-35881-1	BODY F35B-8
2	1	01-46735-1	SHAFT F35/F4B-8
3	1	01-46739-2	ENDCOVER F35B NEUTRAL
4	1	08-808B	IMPELLER
5	1	01-42910	CAM 1/1 F35B-
6	1	01-45542	SPACER F35B-902
7	1	01-42400	PIN F35B-/F7B/F70B
8	1	01-46676	WEAR PLATE F35B-8 SS
9	1	01-45049	PLATE F35/F4B-8
11	1	01-46797	LABEL
12	1	01-46790-01	WASHER D7.5XD4X1 CU
14	4	0.0279.300	SCREW M4X8 ISO1207 A4
15	1	01-46794-03	SCREW 8-32UNCX8
16	1	0.2173.440	O-RING 42X2 NBR70
17	1	0.2173.432	O-RING 11.3X2.4 SS1586 NBR70
18	2	0.3431.748	BALL BEARING 6001 2 RS1 ST
19	1	0.2233.010	LIP SEAL 12X24X7 DPSM
20	1	0.0371.028	INT. CIRCLIP D28 DIN472 ST
21	1	0.0370.012	EXT. CIRCLIP D12 DIN471 ST
0	1	0.3444.001	CARTON NO. 1 170X135X 90
0	1	01-46027-1	LABEL DRY RUNNING (4-LANG.)
0	1	IB-501/01	INSTR.MANUAL FB-8 SERIES