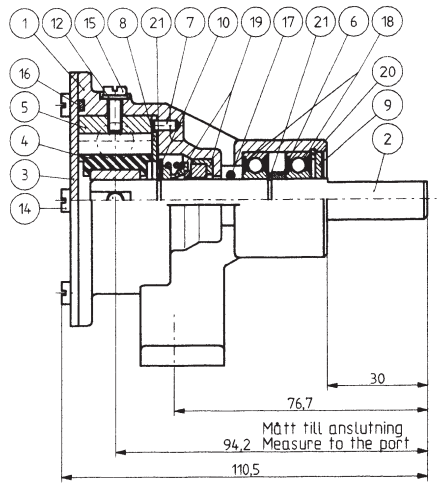
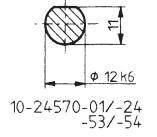


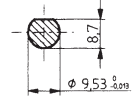
Bole size and tolerance Bolett storlek Tolerans	Limits of deviation Grensavikelser	
	Over	Under
Ø 12 h6	+0,012	-0,001



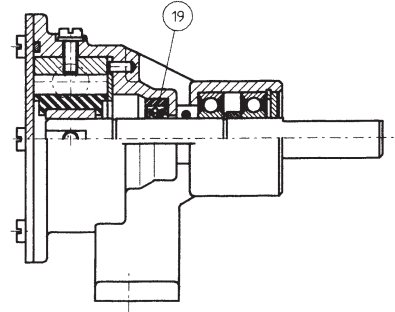
10-24570-01/-12



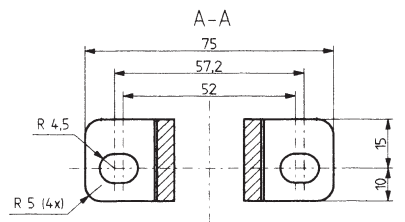
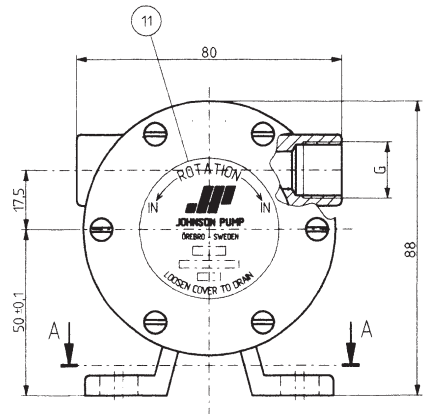
10-24570-01/-24  
-53/-54



10-24570-51/-52



10-24570-13/-24



Parting nr Drawing no	Pump nr / Pump no	tycksta parts list	Pump type Pump type	Marking of eticett/lock Mark on label/endcover	Slings G Thread G	Tätning Seal
	10-24570-01		F4B-8			
	10-24570-02		F4B-89			
	10-24570-03		F4B-802		IS07/1-Rp 3/8	
	10-24570-04		F4B-892			
	10-24570-05		F4B-803			
	10-24570-06		F4B-893			
	10-24570-07		F4B-8007			Mek. tätning Mech. seal
	10-24570-08		F4B-8907			
	10-24570-09		F4B-8027		3/8 - 18 NPTF	
	10-24570-10		F4B-8927			
	10-24570-11		F4B-8037			
	10-24570-12		F4B-8937			
03-24570	10-24570-13		F4B-8	Pumptyp = pump nr - Niv. ÖP = vektis Pump type = pump no - man. year = week		
	10-24570-14		F4B-89			
	10-24570-15		F4B-802		IS07/1-Rp 3/8	
	10-24570-16		F4B-892			
	10-24570-17		F4B-803			
	10-24570-18		F4B-893			
	10-24570-19		F4B-8007			Läppertätning Lip seal
	10-24570-20		F4B-8907		3/8 - 18 NPTF	
	10-24570-21		F4B-8027			
	10-24570-22		F4B-8927			
	10-24570-23		F4B-8037			
	10-24570-24		F4B-8937			
	10-24570-51		F4B-8007	Pumptyp = pump nr - Niv. ÖP = vektis Pump type = pump no - man. year = week	3/8 - 18 NPTF	Mek. tätning Mech. seal
	10-24570-52		F4B-8007	Pumptyp = pump nr - Niv. ÖP = vektis Pump type = pump no - man. year = week	3/8 - 18 NPTF	Läppertätning Lip seal
	10-24570-53		F4B-8	CWP...	IS07/1-Rp 3/8	Mek. tätning Mech. seal
	10-24570-54		F4B-8	CWP...	IS07/1-Rp 3/8	Läppertätning Lip seal

Detaljer enligt stycklista  
Part list according to parts list

Copyright 2000 Johnson Pump AB, Örebro Sweden.

A03	Pos. 13 uttäck.	000814	UF
A02	Etikett tillkom.	990909	UF
W no	Zone	Revision	Sign
Utgåva	Läge	Ändring	

Schedat av / Approved by			
Desig.	Prod.	Övst.	Mech. work.

Item no För nr	Item no Ändr. nr	Description Beskrivning	Material	Drawing no Tilläggs nr												
<p>Do not insert samples given. Unless otherwise stated the following applies:</p> <table border="1"> <tr> <td>Tolerance Tolerans</td> <td>Spine edge Skarp kant</td> <td>Spine Rader</td> <td>Surface roughness Yttextur</td> </tr> <tr> <td>Unmachined surface Obearbetad yta</td> <td>Machined surface Bearbetad yta</td> <td>Flange Hållarskåder</td> <td>Weight Vikt</td> </tr> <tr> <td>±0,15/0,2</td> <td>±0,012/0,015</td> <td></td> <td></td> </tr> </table>					Tolerance Tolerans	Spine edge Skarp kant	Spine Rader	Surface roughness Yttextur	Unmachined surface Obearbetad yta	Machined surface Bearbetad yta	Flange Hållarskåder	Weight Vikt	±0,15/0,2	±0,012/0,015		
Tolerance Tolerans	Spine edge Skarp kant	Spine Rader	Surface roughness Yttextur													
Unmachined surface Obearbetad yta	Machined surface Bearbetad yta	Flange Hållarskåder	Weight Vikt													
±0,15/0,2	±0,012/0,015															
Title Titel		Date Datum	Scale Skala	Sign Sign												
Johnson Impellerpump F4B-8		981217	1:1	LU												
Drawings no Tilläggs nr		Drawing no Tilläggs nr		Utgåva nr												
03-24570		03-24570		A03												

**Assembly drawing No. 03-24570**

F4B-8 Impeller Pump OEM / Art. No. 10-24570-01

Position	Quantity	Part No.	Description
1	1	01-35882-1	BODY F4B-8
2	1	01-46735-1	SHAFT F35/F4B-8
3	1	01-46007-2	ENDCOVER F4/F5B NEUTRAL
4	1	08-810B	IMPELLER
5	1	01-42389	CAM 1/1 F4B-
6	1	01-45542	SPACER F35B-902
7	1	01-42400	PIN F35B-/F7B/F70B
8	1	01-46737-2	WEAR PLATE F4B
9	1	01-45049	PLATE F35/F4B-8
10	1	01-45659	WASHER F4B-8/-9
11	1	01-46797	LABEL
12	1	01-46790-01	WASHER D7.5XD4X1 CU
14	6	0.0279.300	SCREW M4X8 ISO1207 A4
15	1	01-46794-04	SCREW 8-32UNCX10
16	1	0.2173.476	O-RING 59.6X2.4 SS1586 NBR70
17	1	0.2173.432	O-RING 11.3X2.4 SS1586 NBR70
18	2	0.3431.748	BALL BEARING 6001 2 RS1 ST
19	1	0.2247.021	MECH.SEAL COMPL D12
20	1	0.0371.028	INT. CIRCLIP D28 DIN472 ST
21	2	0.0370.012	EXT. CIRCLIP D12 DIN471 ST
0	1	01-46027-1	LABEL DRY RUNNING (4-LANG.)
0	1	0.3444.001	CARTON NO. 1 170X135X 90
0	1	IB-501/01	INSTR.MANUAL FB-8 SERIES

**Assembly Drawing No. 03-24570**

F4B-8 Impeller pump OEM / Art. No. 10-24570-13

Position	Quantity	Part No.	Description
1	1	01-35882-1	BODY F4B-8
2	1	01-46735-1	SHAFT F35/F4B-8
3	1	01-46007-2	ENDCOVER F4/F5B NEUTRAL
4	1	08-810B	IMPELLER
5	1	01-42389	CAM 1/1 F4B-
6	1	01-45542	SPACER F35B-902
7	1	01-42400	PIN F35B-/F7B/F70B
8	1	01-46737-2	WEAR PLATE F4B
9	1	01-45049	PLATE F35/F4B-8
11	1	01-46797	LABEL
12	1	01-46790-01	WASHER D7.5XD4X1 CU
14	6	0.0279.300	SCREW M4X8 ISO1207 A4
15	1	01-46794-04	SCREW 8-32UNCX10
16	1	0.2173.476	O-RING 59.6X2.4 SS1586 NBR70
17	1	0.2173.432	O-RING 11.3X2.4 SS1586 NBR70
18	2	0.3431.748	BALL BEARING 6001 2 RS1 ST
19	1	0.2233.010	LIP SEAL 12X24X7 DPSM
20	1	0.0371.028	INT. CIRCLIP D28 DIN472 ST
21	1	0.0370.012	EXT. CIRCLIP D12 DIN471 ST
0	1	0.3444.001	CARTON NO. 1 170X135X 90
0	1	01-46027-1	LABEL DRY RUNNING (4-LANG.)
0	1	IB-501/01	INSTR.MANUAL FB-8 SERIES