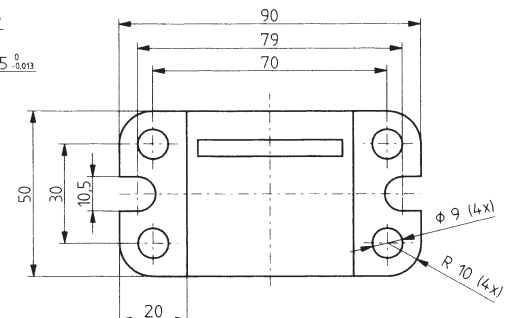
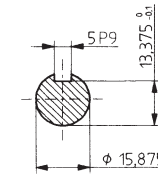
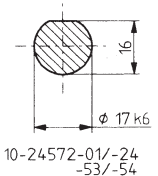
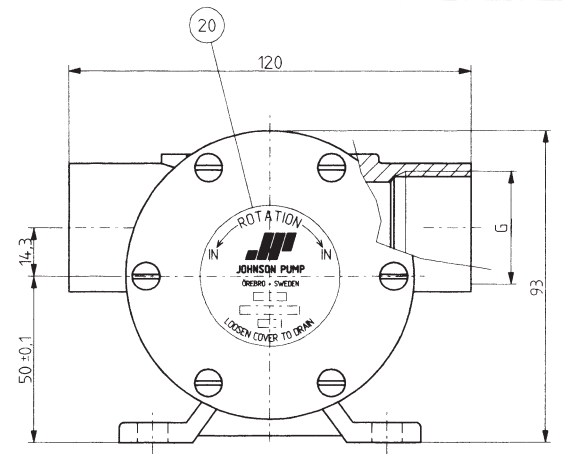
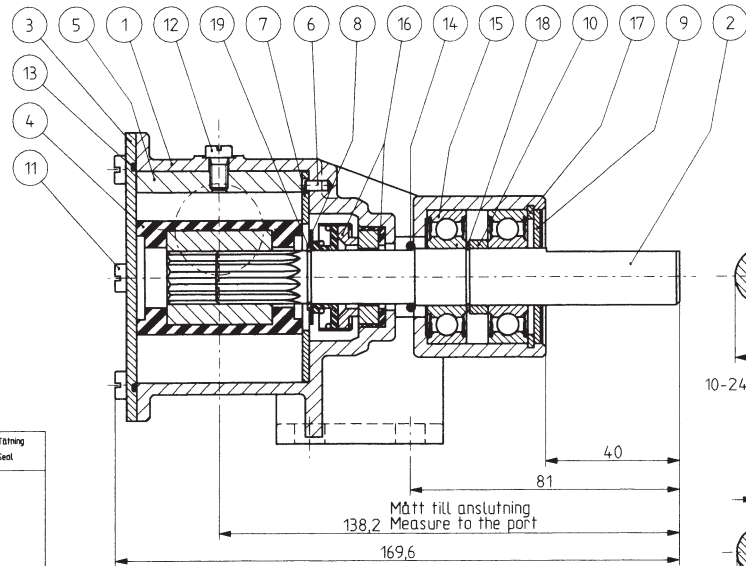
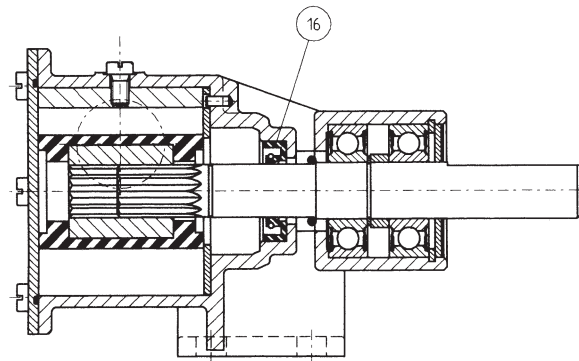


Bores size and tolerance BoreH11 och tolerans	Limits of deviation Gränsvärden	
	Over Upper	Under Lower
5P9	-0,012	-0,042
φ17k6	+0,012	+0,001



Ritning nr Drawing no	Pump nr/ Pump no	Pump typ Pump type	Märkning på etikett/lock Mark on label/cover	Gänga G Thread G	Tätning Seal
03-24572	10-24572-01	F7B-8		ISO 7/1 - Rp1	Mek. tätning Mech. seal
	10-24572-02	F7B-89			
	10-24572-03	F7B-802			
	10-24572-04	F7B-892			
	10-24572-05	F7B-803			
	10-24572-06	F7B-893			
	10-24572-07	F7B-8007			
	10-24572-08	F7B-8907			
	10-24572-09	F7B-8027			
	10-24572-10	F7B-8927			
	10-24572-11	F7B-8037			
	10-24572-12	F7B-8937			
	10-24572-13	F7B-8	Pump typ + pump nr + tillv. år + vecka Pump type + pump no + man. year + week	ISO 7/1 - Rp1	Låspättring Lip seal
	10-24572-14	F7B-89			
	10-24572-15	F7B-802			
	10-24572-16	F7B-892			
	10-24572-17	F7B-803			
	10-24572-18	F7B-893			
	10-24572-19	F7B-8007			
	10-24572-20	F7B-8907			
	10-24572-21	F7B-8027			
	10-24572-22	F7B-8927			
	10-24572-23	F7B-8037			
	10-24572-24	F7B-8937			
	10-24572-51	F7B-8007	Pump typ + pump nr + tillv. år + vecka Pump type + pump no + man. year + week	1 - 11 1/2NPTF	Mek. tätning Mech. seal
	10-24572-52	F7B-8007	Pump typ + pump nr + tillv. år + vecka Pump type + pump no + man. year + week	1 - 11 1/2NPTF	Låspättring Lip seal
	10-24572-53	F7B-8	CWP ...	ISO 7/1 - Rp1	Mek. tätning Mech. seal
	10-24572-54	F7B-8	CWP ...	ISO 7/1 - Rp1	Låspättring Lip seal

Delar enligt stycke lista
Part list according to parts list



10-24572-13/-24

Ändr.	Ändring	Ändrad av / Approved by	Datum / Date	Sign
A03	Etikett tillkom. Slutbrickan ändrad.		990909	UF
A02	Pumphuset ändrat		990309	UF

Drövt.	Prod.	Övst.	Skick. workf.

Item no Pos nr	Item Airtal	Description Benämning	Material	Drawing no Ritnings nr
		<p>Obs! ej annat angivits gäller: <i>Unless otherwise stated the following applies:</i></p> <p>Tolerance Tolerans</p> <p>Sharp edges broken Skarpa kanter brutna</p> <p>Surface roughness Ra µm Ytjämnhet Ra µm</p> <p>Unmachined surface Obeaktad yta +IT 17/2</p> <p>Machined surface Beaktad yta +IT 14/2</p> <p>Fit/fit Ålmsått/ått</p> <p>Fit/fit Ålmsått/ått</p> <p>Surface roughness Ra µm Ytjämnhet Ra µm</p> <p>Weight Vikt</p> <p>Material</p> <p>Hard/Ått</p> <p>Fit/fit Ålmsått/ått</p> <p>Surface roughness Ra µm Ytjämnhet Ra µm</p> <p>Weight Vikt</p>		
		<p>Johnson Impellerpump F7B-8</p>		
		<p>Date / Datum: 981217</p> <p>Signature / Sign: LU</p> <p>Scale / Skala: 1:1</p>		
		<p>Drawing no / Ritnings nr: 03-24572</p>		

Copyright 1998 Johnson Pump AB, Örebro Sweden.

Assembly Drawing No. 03-24572

F7B-8 Impeller Pump OEM / Art. No. 10-24572-01

Position	Quantity	Artikelnummer	Artikelbeskrivning
1	1	01-24574-3	BODY F7B-8
2	1	01-46744	SHAFT F5/F7B-8
20	1	01-46797	LABEL
3	1	01-46648-3	ENDCOVER F7B
4	1	08-1028B	IMPELLER
5	1	01-42679	CAM 1/1 F7B/F70B
6	1	01-42400	PIN F35B-/F7B/F70B
7	1	01-46798-2	WEAR PLATE F7B
8	1	01-45680	WASHER F5B/F6B/F7B
9	1	01-45047	PLATE F5/F7B-8
10	1	01-46009	SPACER F7B-9
11	6	0.0279.301	SCREW M5X8 ISO1207 A4
12	1	01-46794-01	SCREW 12-24UNCX9.5 BRASS
13	1	0.2172.012	O-RING 63.22X1.78 BS1806 NBR70
14	1	0.2173.402	O-RING 15.3X2.4 SS1586 NBR70
15	2	0.3431.742	BALL BEARING 6203 2 RS1 ST
16	1	0.2247.022	MECH.SEAL COMPL D16
17	1	0.0371.040	INT. CIRCLIP D40 DIN472 ST
18	1	0.0370.017	EXT. CIRCLIP D17 DIN471 ST
19	1	0.0370.516	EXT. CIRCLIP D16 DIN471 ST
0	1	01-46027-1	LABEL DRY RUNNING (4-LANG.)
0	1	0.3444.002	CARTON NO 2 200X155X 95
0	1	IB-501/01	INSTR.MANUAL FB-8 SERIES

Assembly drawing No. 03-24572

F7B-8 Impeller Pump OEM / Art. No. 10-24572-13

Position	Quantity	Part No.	Description
1	1	01-24574-3	BODY F7B-8
2	1	01-46744	SHAFT F5/F7B-8
3	1	01-46648-3	ENDCOVER F7B
4	1	08-1028B	IMPELLER
5	1	01-42679	CAM 1/1 F7B/F70B
6	1	01-42400	PIN F35B-/F7B/F70B
7	1	01-46798-2	WEAR PLATE F7B
9	1	01-45047	PLATE F5/F7B-8
10	1	01-46009	SPACER F7B-9
11	6	0.0279.301	SCREW M5X8 ISO1207 A4
12	1	01-46794-01	SCREW 12-24UNCX9.5 BRASS
13	1	0.2172.012	O-RING 63.22X1.78 BS1806 NBR70
14	1	0.2173.402	O-RING 15.3X2.4 SS1586 NBR70
15	2	0.3431.742	BALL BEARING 6203 2 RS1 ST
16	1	0.2233.012	LIP SEAL 16X30X7 DPSM
17	1	0.0371.040	INT. CIRCLIP D40 DIN472 ST
18	1	0.0370.017	EXT. CIRCLIP D17 DIN471 ST
20	1	01-46797	LABEL
0	1	01-46027-1	LABEL DRY RUNNING (4-LANG.)
0	1	0.3444.002	CARTON NO 2 200X155X 95
0	1	IB-501/01	INSTR.MANUAL FB-8 SERIES