



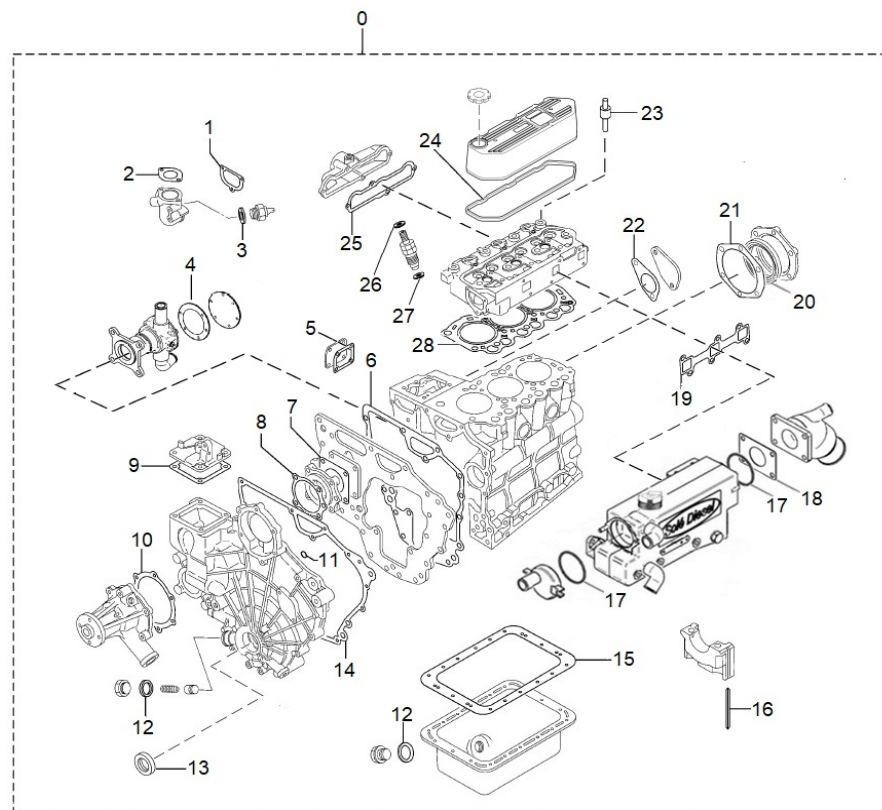
Genset G-15T-3 12V 400V/230V

VERSION 2019-6

SPARE PARTS MANUAL



D_13920101		Gasket Kit			
FIG.	REF.	QTY	DESCR.	FROM	UPTO
0	13920101	1	Kit Gasket		
1	17621033.4	1	Gasket Thermostat		
2	13821033	1	Gasket Thermostat [NP]		
3	594601601	1	Washer		
4	31211003	1	Gasket Cover		
5	13823014	1	Gasket Tie Rod CO		
6	13820018	1	Gasket Front Plate		
7	13120047	1	Gasket Water Pump		
8	13820038	1	Gasket Housing		
9	13823033	1	Gasket Governor Cover		
10	13821022	1	Gasket Water Pump		
11	13820044	2	O-Ring D. 11X2,5		
12	56000077	2	Washer 18-23-1,5		
13	13820039	1	Oil Seal		
14	13820040	1	Gasket Gear Case		
15	17620033.4	1	Gasket Oil PAN		
16	13820002	4	Seal Side		
17	13811007	2	O-Ring D. 57X2,5		
18	17613014	1	Gasket		
19	17621043	1	Gasket		
20	13820008	1	Seal Oil		
21	13820016	1	Gasket Oil Seal C		
22	17620012.4	1	Gasket Cover		
23	13222054	6	Seal Valve Stem		
24	13921010	1	Gasket Rocker Cover		
25	17621032	1	Gasket Intake COV		
26	17424025G.1	3	Gasket Fuel Return (Genset)		
27	13824013	3	Injector Washer		
28	17621004	1	Gasket,Cylinder Head		
NS	12111006	1	O-Ring [NS]		
NS	13114002	1	Gasket [NS]		

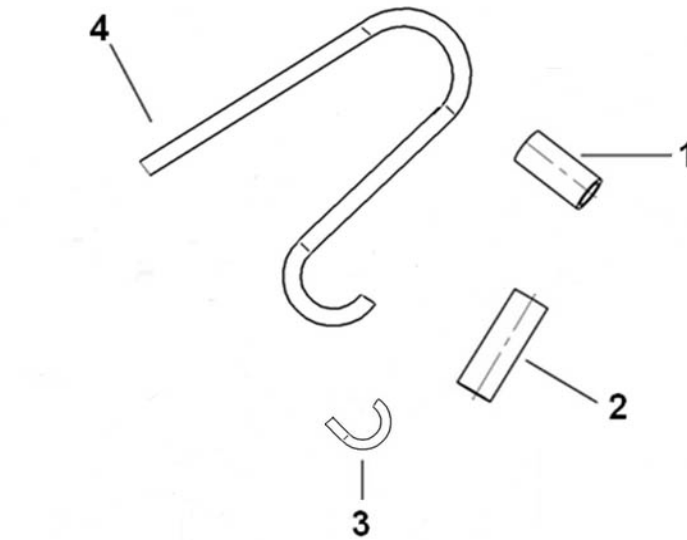


[NP] Not provided
 [NS] Not shown

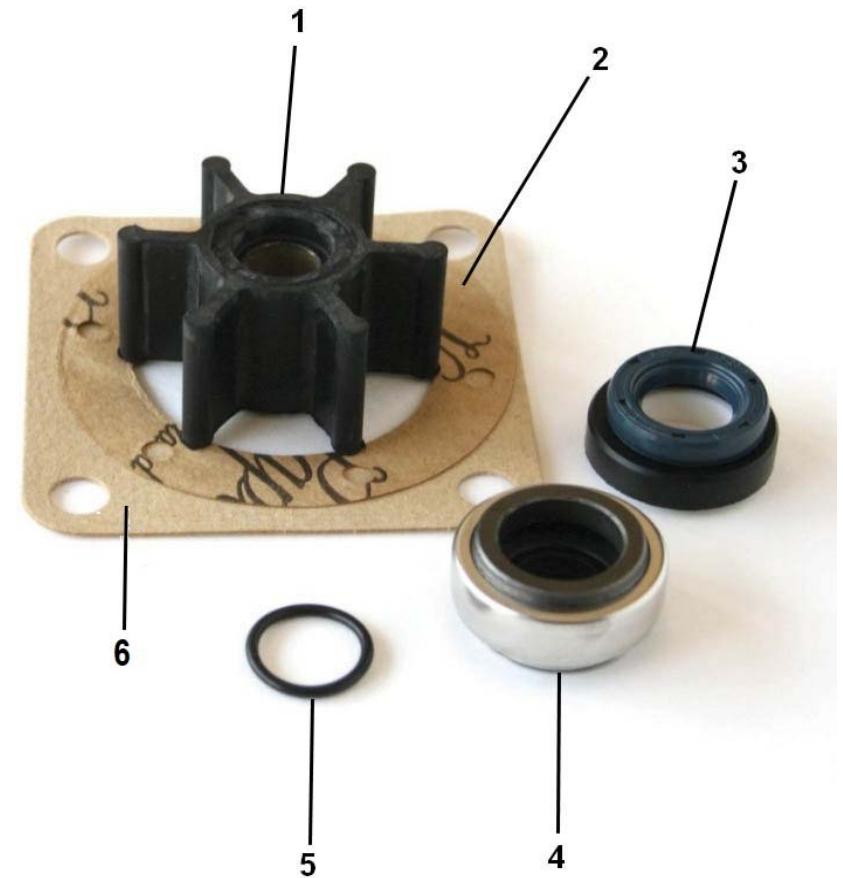




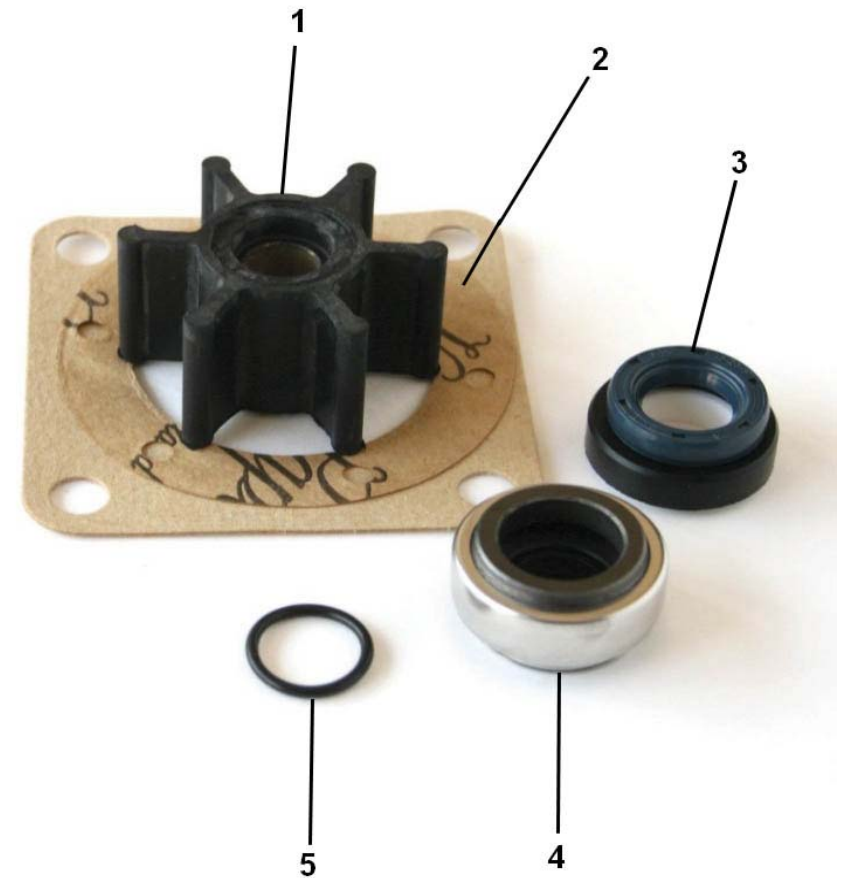
17611100.4 Pipe Rubber Set,Water Line 4 V.MINI-29					
FIG.	REF.	QTY	DESCR.	FROM	UPTO
1	13811017	2	Pipe 28-38-80		
2	17611002	1	Pipe 28-38-110		
3	17611034	1	Hose		
4	M87501927	0,75	Water Intake Hose (HQ) D. 19-27		



37011200K		Repair Kit Water Pump 1/2"			
FIG.	REF.	QTY	DESCR.	FROM	UPTO
1	31211008	1	1/2" Impeller		
2	31211003	1	Gasket Cover		
3	33411020	1	Seal		
4	33411019	1	Seal		
5	33311013	1	O-Ring D. 15X2		
6	13120047	1	Gasket Water Pump		



33811000K		Repair Kit Water Pump 1/2"			
FIG.	REF.	QTY	DESCR.	FROM	UPTO
1	31211008	1	1/2" Impeller		
2	31211003	1	Gasket Cover		
3	33411020	1	Seal		
4	33411019	1	Seal		
5	33311013	1	O-Ring D. 15X2		
NS	17011007	1	O-Ring D. 57X3 [NS]		

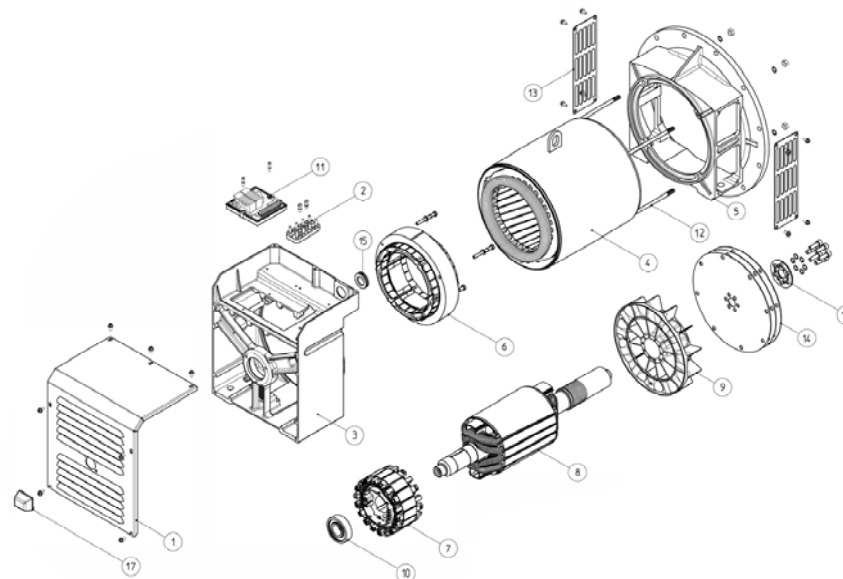


[NS] Not shown





D_60513316 Alt.MECC.ALTE III 16KVA 3000RPM 400/230V					
FIG.	REF.	QTY	DESCR.	FROM	UPTO
1	60513316.1	1	Terminal Box Lid [NP]		
2	60513316.2	1	Terminal Board 76x36 M5 [NP]		
3	60513316.3	1	Non Drive End Bracket [NP]		
4	60513316.4	1	Frame and Stator 1L/2 [NP]		
5	60513316.5	1	Drive End Bracket MD35/5 [NP]		
6	60511310.1.10	1	EXCITER STATOR		
7	60513316.7	1	Exciter Armature H-40 6P + Diodes [NP]		
8	60513316.8	1	Rotor Assy 1L/2 MD35 [NP]		
9	60513316.9	1	Fan MD35 - D. 50 [NP]		
0	60513316R	1	Alt.MECC.ALTE III 16KVA 3000 400/230 (R)		
10	60513316.10	1	Rear Bearing 6305-2RS C3 [NP]		
11	60500023.1	1	Electronic Regulator DSR		
12	60513316.12	1	Cover Stay Bolt ECP 3-L [NP]		
13	60513316.13	2	Kit Protection Screen B14 B9 MD35 [NP]		
14	60513316.14	1	Kit Coupling Disc Plates SAE 6,5 [NP]		
15	60513316.15	1	Cable Gland [NP]		
16	60513316.16	1	Disc Locking Ring-Spacer [NP]		
17	60513316.17	1	Nut-Cover Rubber Cap for Lid [NP]		
NS	60513316.18	1	Diode for Exciter Armature [NP] [NS]		
NS	60513316.19	1	Ring Spacer Vol. 8 - 10 [NP] [NS]		
NS	60513316.20	1	Kit USB2DxR [NP] [NS]		

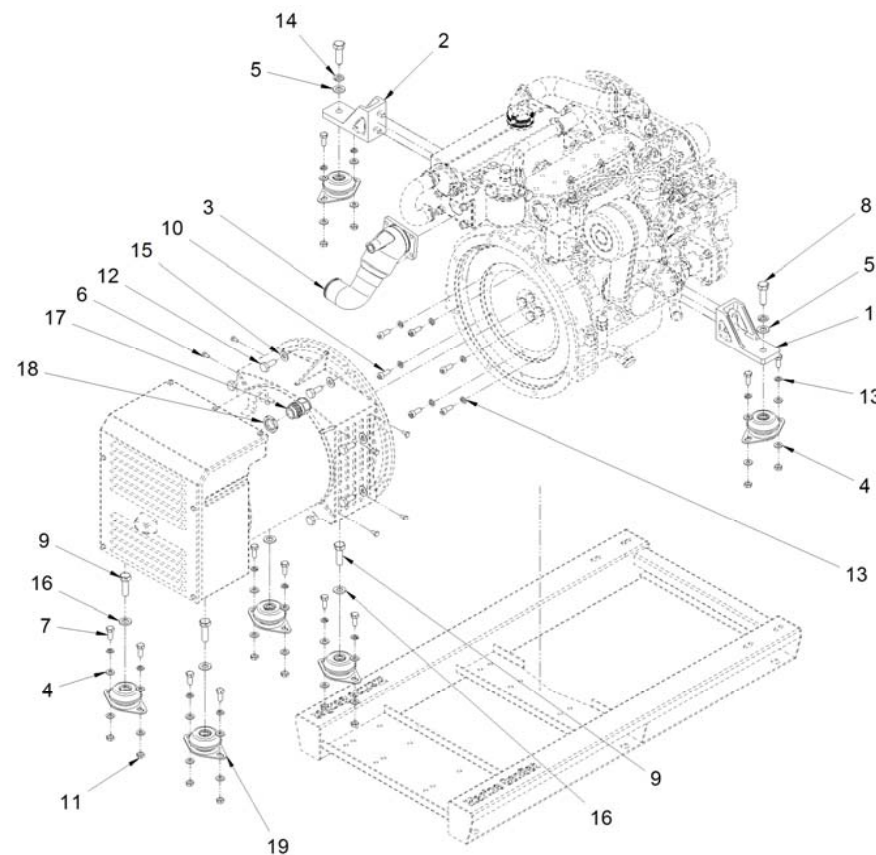


[NP] Not provided
 [NS] Not shown





60539112 Kit Genset MINI-26 for ECP3-1L/2					
FIG.	REF.	QTY	DESCR.	FROM	UPTO
1	13810003.1	1	Engine Genset Left Support [NP]		06/11/2017
1	13810038.1	1	Engine Genset Left Support	06/11/2017	
2	13810004.1	1	Genset Engine Right Support [NP]		06/11/2017
2	13810039.1	1	Genset Engine Right Support	06/11/2017	
3	17613015G.1	1	Wet Exhaust Elbow Genset Alt. MECCALTE		
4	51030008	24	Washer DIN 125-8		
5	51030012	2	Washer DIN 125-12		
6	52102104	8	Bolt DIN 933 M5-10 8.8		
7	52102257	12	Bolt DIN 933 M8-20 8.8		
8	52102359	2	Bolt DIN 933 M12-30 8.8		
9	52102360	4	Bolt DIN 933 M12-35 8.8		
10	52103257	6	Bolt DIN 912 M8-20 8.8		
11	52120008	12	Nut DIN 934 M8 8.8		
12	52202308	8	Bolt DIN 933 M10-1,25-25 8.8		
13	53033008	18	Washer GROWER DIN 127-8		
14	53033012	2	Washer GROWER DIN 127-12		
15	53038010	8	Washer DIN 6798-A 10		
16	53038012	4	Washer DIN 6798-A 12		
17	60900306	1	Connector Press CAPTOR-2000 M25 RAL7001		
18	60900309	1	Screw Connector Press Captor-2000 M25		
19	61638001	6	Engine Mount Type F 50 SHA M12 H 34		
NS	TR.1.5.5	4	Ring Terminal 1.5 Sec. [NS]	24/11/2017	
NS	60530033	1	Spring,governor [NS]		
NS	60900158	1	Terminal Tubular Sleeve (1.5) [NS]	24/11/2017	

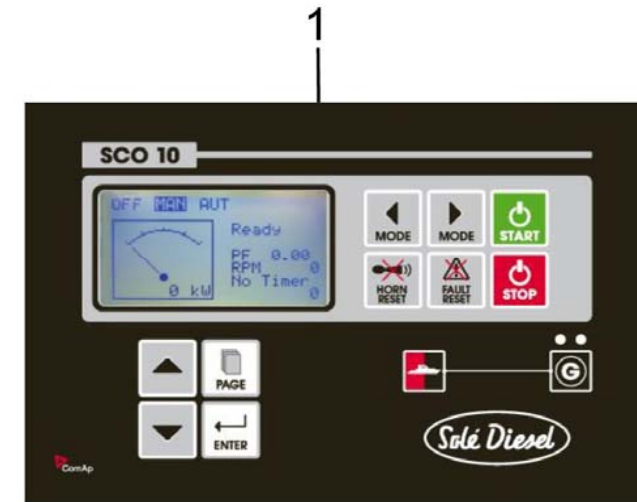


[NP] Not provided
 [NS] Not shown





D_60939400S.3 Panel SCO 10 G-15T-3 ETR 400/230V					
FIG.	REF.	QTY	DESCR.	FROM	UPTO
1	60939400S.3	1	Panel SCO 10 G-15T-3 ETR 12V 400/230V		
2	60972106	1	System Back Panel		
NS	51030003	4	Washer DIN 125-3 [NS]		
NS	52120003	2	Nut DIN 934 M3 8.8 [NS]		
NS	54108003	2	Bolt DIN 84 M3-8 INOX. [NS]		
NS	60900091	4	MICRO Relay 12V 12-20 [NS]		



[NS] Not shown



D_W1C1_1_1 Genset Extension					
FIG.	REF.	QTY	DESCR.	FROM	UPTO
1A	60905510	1	Genset Wiring Ext. 4 M. MINI-17/26/48		
1B	60938210I	1	Genset Wiring Ext. 3 M. CPC		
1C	60985210I	1	Genset Wiring Ext. 4 M. CPC		
1D	60938212	1	Genset Wiring Ext. 8 M. CPC		
1E	60985210.12I	1	Genset Wiring Ext. 12 M. CPC		
1F	60985210.18I	1	Genset Wiring Ext. 18 M. CPC		
1G	60985210.24I	1	Genset Wiring Ext. 24 M. CPC		
1H	60985210.30I	1	Genset Wiring Ext. 30 M. CPC		
1I	60994210P.2	1	Wir.Ext. 85/115 GT Prep. Paral.6M		
1J	60994212P.2	1	Wir.Ext. 85/115 GT Prep. Paral.12M		
1K	60994213P.2	1	Wir.Ext. 85/115 GT Prep. Paral.24M		
1L	60994210P	1	Wir.Ext. 85/115 GT Cont/Pow 6M		
1M	60994212P	1	Wir.Ext. 85/115 GT Cont/Pow 12M		
1N	60994213P	1	Wir.Ext. 85/115 GT Cont/Pow 24M		
1O	60994217	1	Genset Wiring Ext. SDZ-109/165 TA 6 M.		
1P	60994218	1	Genset Wiring Ext. SDZ-109/165 TA 12 M.		
1Q	60994219	1	Genset Wiring Ext. SDZ-109/165 TA 24 M.		
1R	60994224	1	Genset Wiring Ext. 85GT/115GT EMR2 12m		
1S	60974552	1	Wiring Ext.3 Way SUPERSEAL 4m		





FIG.	REF.	QTY	DESCR.	FROM	UPTO
	60900253		Kit Box IP65 SCO 10 12V		
	60900253.1	1	Kit Box IP65 SCO 10 12V Manufacturing		

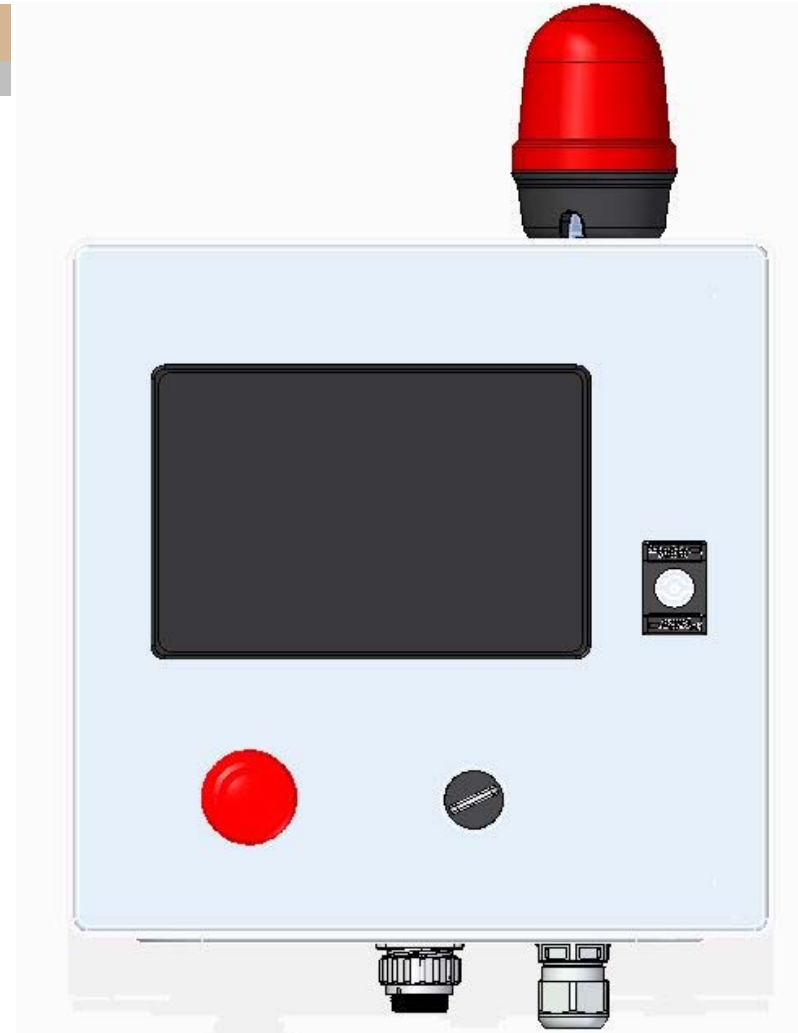




FIG.	REF.	QTY	DESCR.	FROM	UPTO
	60900254		Kit Box IP65 SCO 10 24V		
	60900254.1	1	Kit Box IP65 SCO 10 24V Manufacturing		



FIG.	REF.	QTY	DESCR.	FROM	UPTO
	60900255		Kit Box IP65 SCO 10 Warning Light/Horn		
	60900255.1	1	Kit Box IP65 SCO 10 Warn.Light/Horn Man.		



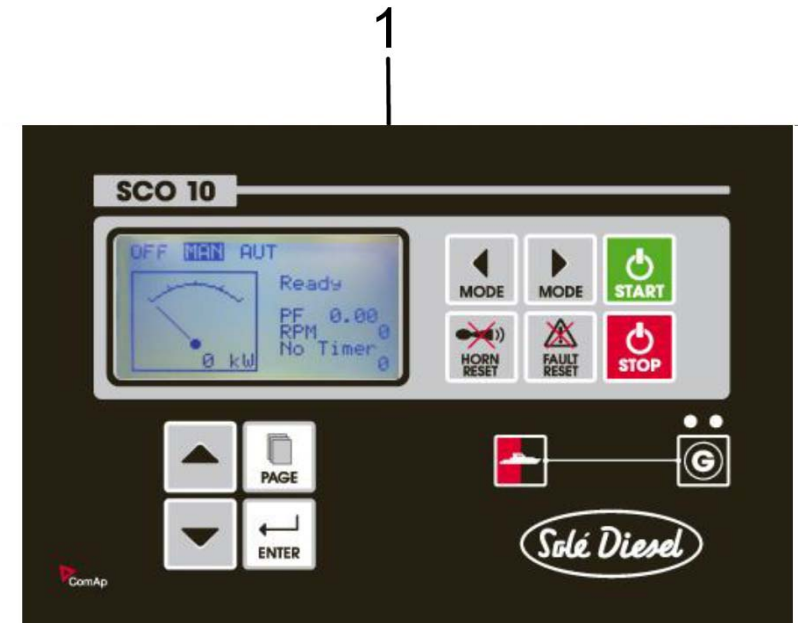


60972005 Kit Price Supplement Panel SSO 10					
FIG.	REF.	QTY	DESCR.	FROM	UPTO
1	60972050.2	1	Panel Genset SSO 10 ETR 12V CPC	24/04/2015	





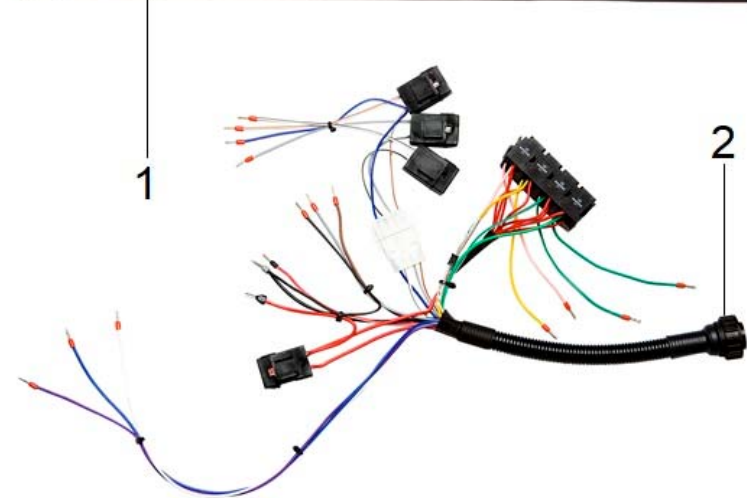
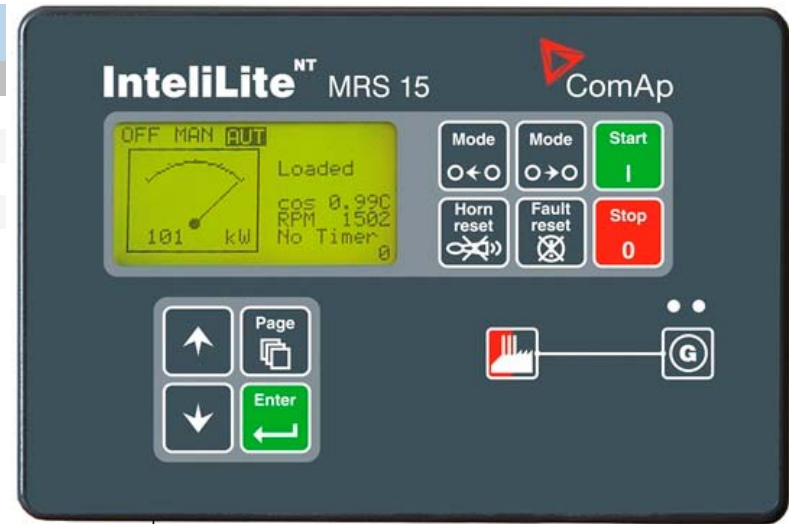
60974600S Kit 2nd Panel SCO 10					
FIG.	REF.	QTY	DESCR.	FROM	UPTO
1	60972101S	1	Panel COMAP SCO 10 Double PANEL SOLE		
NS	I_60974600S	1	2nd Panel SCO 10 Kit Manual [NS]		
NS	60972102	2	RS232-485 Communication Card [NS]		



[NS] Not shown



60972100A Panel COMAP CO 10 for Aux. Engine					
FIG.	REF.	QTY	DESCR.	FROM	UPTO
1	60972100	1	Panel COMAP CO 10 STD.		
2	60972106	1	System Back Panel		
NS	51030003	4	Washer DIN 125-3 [NS]		
NS	52120003	2	Nut DIN 934 M3 8.8 [NS]		
NS	54108003	2	Bolt DIN 84 M3-8 INOX. [NS]		

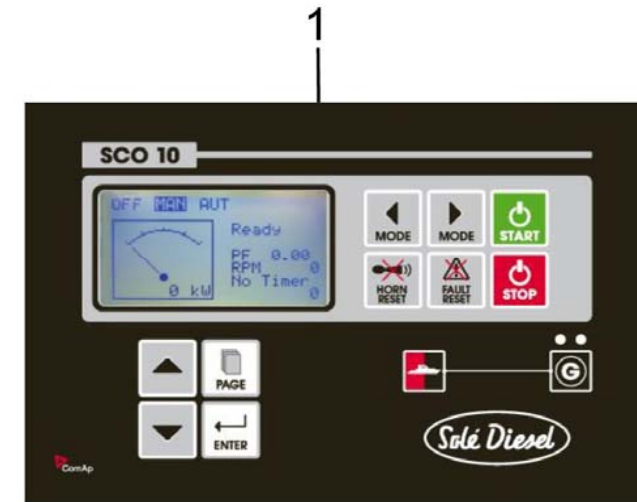


[NS] Not shown





60972100AS		Panel COMAP SCO 10 SOLE for Aux. Engine			
FIG.	REF.	QTY	DESCR.	FROM	UPTO
1	60972100S	1	Panel COMAP SCO 10 SOLE		
NS	60900091	4	MICRO Relay 12V 12-20 [NS]		
NS	60900092	4	MICRO Relay 24V 24-10 [NS]		

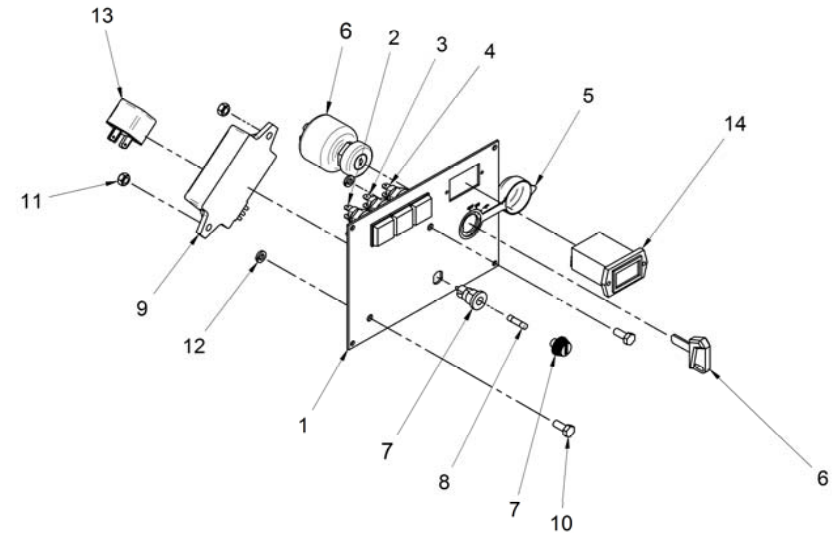


[NS] Not shown





60972050.2 Panel Genset SSO 10 ETR 12V CPC					
FIG.	REF.	QTY	DESCR.	FROM	UPTO
1	60905001.1	1	Panel,Generator Set		
2	60900050A	1	LAMP, oil press.		
3	60900052A	1	LAMP, water temp.		
4	60900051A	1	LAMP, charge		
5	60900035	1	Cover,key		
6	60900031	1	Key-Locking Switch		
7	60900121	1	FuseHolder, panel		
8	60900118	1	Fuse 10 A.		
9	60905006	1	UNIT Assy Control ETR 12V		
10	54102156	2	Bolt DIN 933 M6-16 INOX	03/05/2006	
11	54120006	2	Nut DIN 934 M6 INOX		
12	53033006	2	Washer GROWER DIN 127-6		
13	60580005	1	Relay 12V 20/30A.		
14	60900918	1	Hour Counter		
NS	60900045A	3	Bulb 12V 3W Connector JKL [NS]		
NS	60905217	1	Connector 3 PoleS [NS]		
NS	60905218	1	Connector 4 PoleS [NS]		



[NS] Not shown

